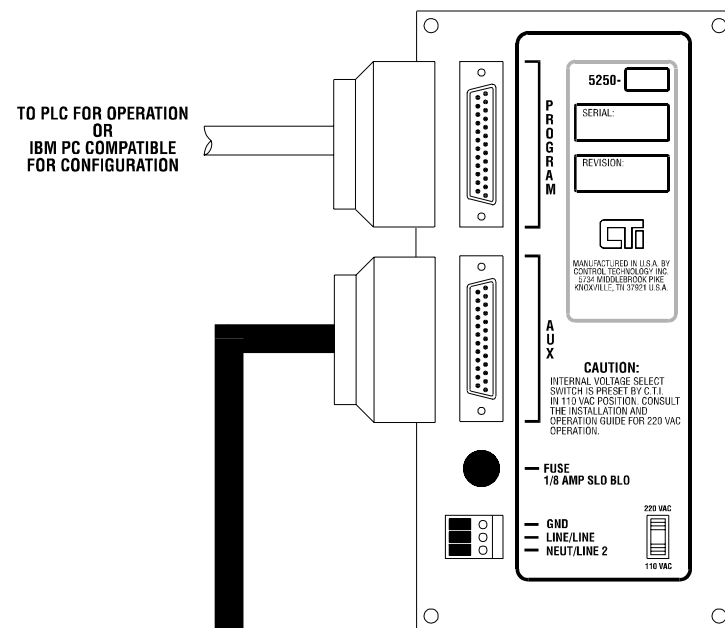
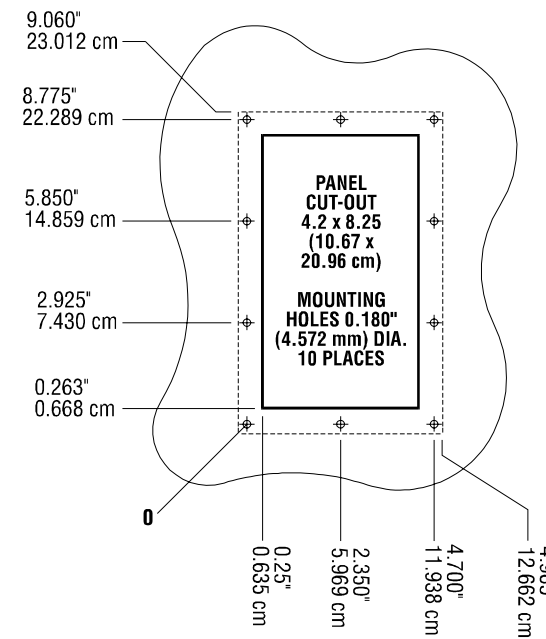


OPERATION CABLE		
CPU Type	To PLC (RS-232)	To PLC (RS-422)
520	5200-C232	5200-C422
520C	5200-C232	5200-C422
530	5200-C232	5200-C422
530C	5200-C232	5200-C422
530T	5200-C232	5200-C422
560	5200-C232	5200-C422
565	5200-C232	5200-C422
525	5200-C232	5200-C422
535	5200-C232	5200-C422
545	5200-CBAT	5200-C422

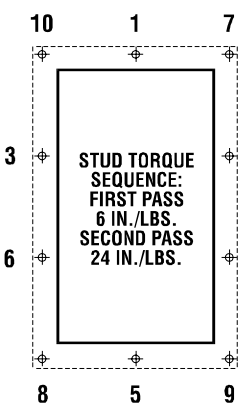
CONFIGURATION CABLE		
5250 T15	To PC-AT	To PC-XT
	5250-CBAT	5250-CBXT



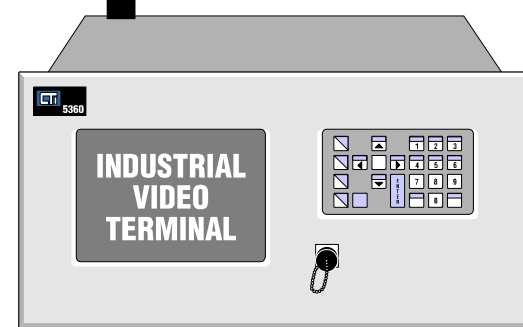
5250-T15 Rear Panel



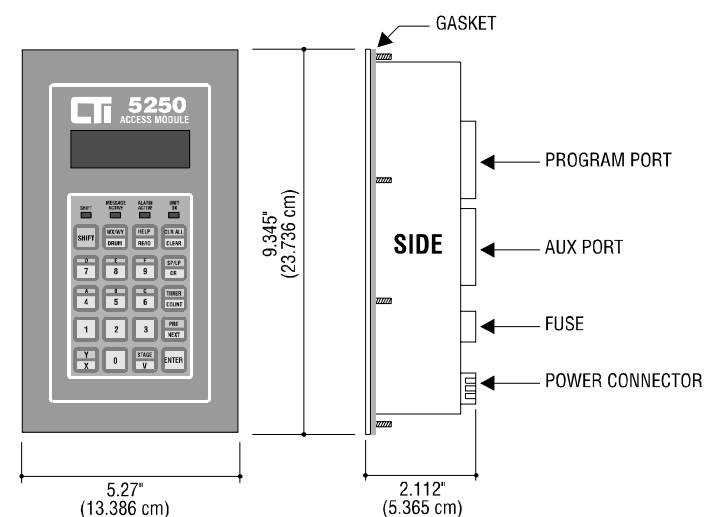
5250-T15 Panel Cutout



Mounting Bolt Torque Sequence

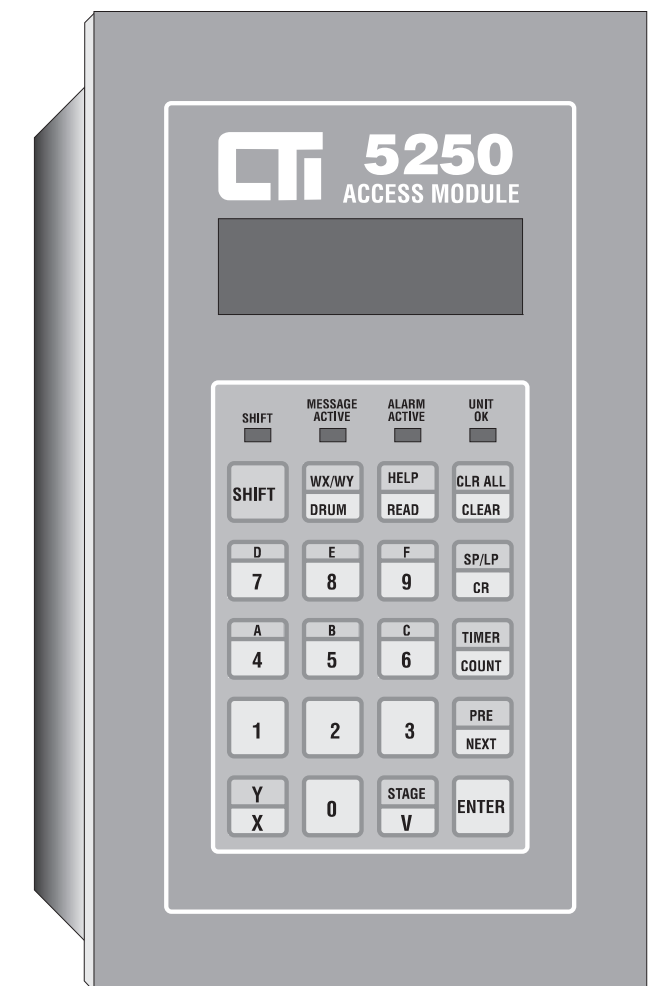


5302 Industrial Video Terminal



Module Outside Dimensions

QUICKSTART GUIDE FOR THE 5250-T15



Control Technology Inc.



5734 Middlebrook Pike
Knoxville, TN 37921
1-800-537-8398
1-865-584-0440

QUICKSTART - READ VARIABLES

Reading a Discrete I/O Point by Direct Address

KEY SEQUENCE	LED	DISPLAY
Y X Select input		XY 1 <input type="checkbox"/>
3 2 1 Key in the address		XY 32 <input type="checkbox"/>
HELP READ Read the state		Y 321 UNFORCED OFF

Reading V Memory by Direct Address

KEY SEQUENCE	LED	DISPLAY
STAGE V Select v memory		V <input type="checkbox"/>
1 0 0 2 Key in the address		V 1002 <input type="checkbox"/>
HELP READ Read the memory		V 1002 17290

Reading Control Relay Status by Direct Address

KEY SEQUENCE	LED	DISPLAY
SP/LP CR Select control relay		CR <input type="checkbox"/>
PRE NEXT Advance to the desired tag name		CR 00003 TMR 1RST <input type="checkbox"/>
HELP READ Read the state		CR 00003 TMR 1RST UNFORCED ON

Reading a Timer/Counter by Direct Address

KEY SEQUENCE	LED	DISPLAY
TIMER COUNT Select Timer/Counter		TMR/CTR 1
1 5 Key in the address		TMR/CTR 15
HELP READ Read the state		CTR 15 UNUSED PRE CUR 00000 00000

QUICKSTART - CHANGE VARIABLES

Changing a Drum

KEY SEQUENCE	LED	DISPLAY
Display the desired variable		DRUM 1 DSP 01 DCP ***** DSC 10 DCC 00001 Sec/Cnt 00.500
ENTER Enter the Edit Mode		DRUM 1 DSP 01 DCP ***** DSC 10 DCC 00001 Sec/Cnt 00.500
PRE NEXT Move the cursor to the DSP Value		DRUM 1 DSP 01 DCP ***** DSC 10 DCC 00001 Sec/Cnt 00.500
PRE NEXT Move the cursor to the Sec/Cnt Value		DRUM 1 DSP 01 DCP ***** DSC 10 DCC 00001 Sec/Cnt 00.500
3 0 0 0 Enter the new value for Sec/Cnt		DRUM 1 DSP 01 DCP ***** DSC 10 DCC 00001 Sec/Cnt 03.000
ENTER Enter the change and exit Edit Mode		DRUM 1 DSP 01 DCP ***** DSC 10 DCC 00001 ENTER PASSWORD
9 5 2 9 Key in password (in this example, the value is "9529")		DRUM 1 DSP 01 DCP ***** DSC 10 DCC 00001 ENTER PASSWORD * * * *
ENTER Enter the password and display the new values		DRUM 1 DSP 01 DCP ***** DSC 10 DCC 00001 Sec/Cnt 03.000

Changing V Memory

KEY SEQUENCE	LED	DISPLAY
Display the desired variable		V 00117 TEMP2 00140 DEG
ENTER Enter the Edit Mode		V 00117 TEMP2 00140 DEG
5 5 0 Key in the new V memory value (in this example, the value is "550")		V 00117 TEMP2 00550 DEG
ENTER Enter the change and exit Edit Mode		V 00117 TEMP2 00550 DEG
9 5 2 9 Key in the password (in this example, the value is "9529")		V 00117 TEMP2 00550 DEG ENTER PASSWORD * * * *
ENTER Enter the password and display the new values		V 00117 TEMP2 00550 DEG

Changing a Discrete Variable X/Y, CR

KEY SEQUENCE	LED	DISPLAY
Display the desired variable		Y 000015 UNFORCED ON
ENTER Enter the Edit Mode		Y 000015 UNFORCED ON
0 Change the discrete variable		Y 000015 UNFORCED OFF
ENTER Enter the change and exit Edit Mode		Y 000015 UNFORCED OFF ENTER PASSWORD
9 5 2 9 Key in password (in this example, the value is "9529")		Y 000015 UNFORCED OFF ENTER PASSWORD * * * *
ENTER Enter the password and display the new values		Y 000015 UNFORCED OFF

Changing a Timer/Counter

KEY SEQUENCE	LED	DISPLAY
Display the desired variable		TMR 00015 PRE 01000 USED CUR 01079
ENTER Enter the Edit Mode		TMR 00015 PRE 01000 USED CUR 01079
PRE NEXT Move the cursor to the "PRE" Value		TMR 00015 PRE 01000 USED CUR 01079
2 0 0 0 Key in the new "PRE" value (in this example, the value is "2000")		TMR 00015 PRE 02000 USED CUR 01079
ENTER Enter the change and exit Edit Mode		TMR 00015 PRE 02000 USED CUR 01079 ENTER PASSWORD
9 5 2 9 Key in the password (in this example, the value is "9529")		TMR 00015 PRE 02000 USED CUR 01079 ENTER PASSWORD * * * *
ENTER Enter the password and display the new values		TMR 00015 PRE 02000 USED CUR 01079